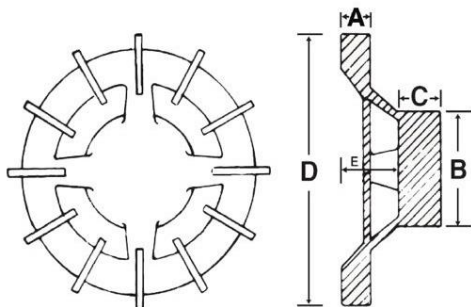
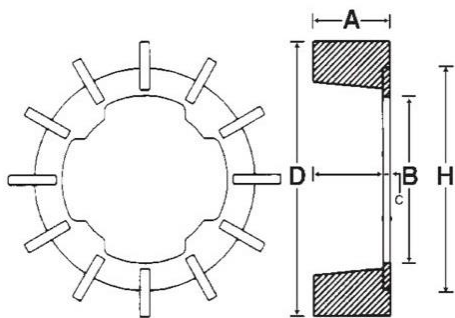
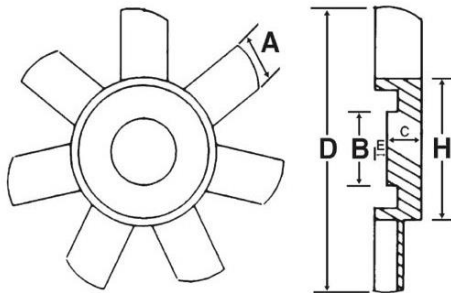
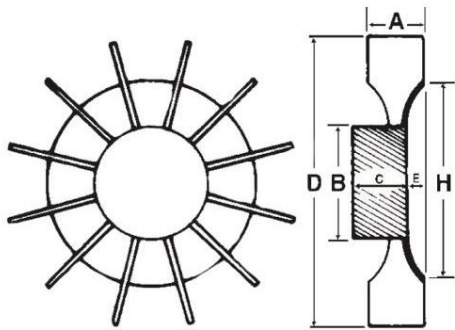




FAN IDENTIFICATION WORKSHEET

Please circle the diagram that best resembles your fan and measure.



A = Blade Width

From highest point.

B = Hub Diameter

C = Hub Thickness

D = Outside Diameter

E = Hub Recess

H = Plate Diameter

F = Bore Diameter

Hub (Split or Solid)

No. of Blades

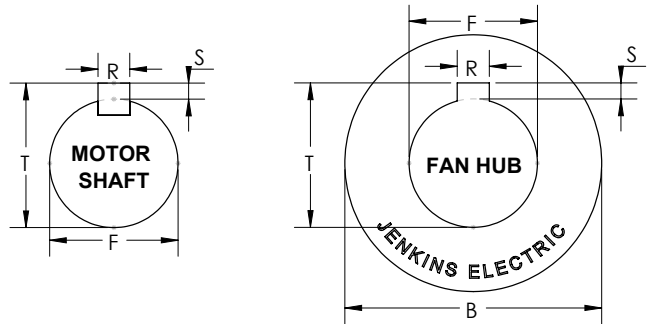
No. of Set Screws

Keyway Dimensions

R = Width

S = Depth

T = Total



Rotation (Circle One)

(Applicable To Directional Fans Only)

CW / CCW

Manufacturer

Frame

RPM

HP

No. / Letters Stamped

(Casting #'s)

Material

Plastic, Aluminum,

Brass, Steel, Other.